

## VarioCANOPY Square Mounting set without PSU or Control

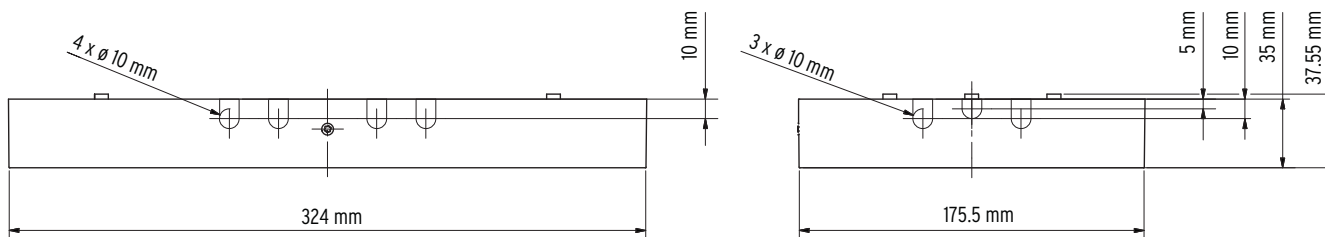


The VarioCanopy Square Mounting Set is designed for all ceiling installations with concrete ceilings where you can't hide your PSU and control in an access hatch. High modularity is given since the whole IN.finite controls gear family and the LinearDrive 180D/720D in combination with four different PSUs from 35 W to 180 W perfectly fit into the housing. With 14 different slots for your cable feed and two additional slots for suspensions and cable feed, there are almost no limits for the installation.

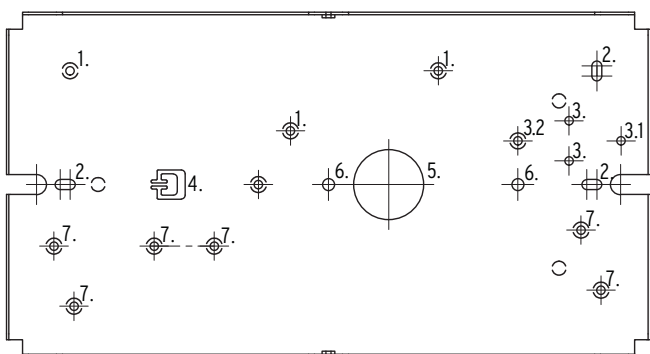
The set contains a canopy, a mounting plate, a catch rope to secure that the canopy won't fall from the ceiling, a 5-pin connector block, a strain relief and screws to assemble the set.

Art.#: 16000347  
 Length: 324 mm  
 Width: 175.5 mm  
 Height: 35 mm

### DIMENSIONS



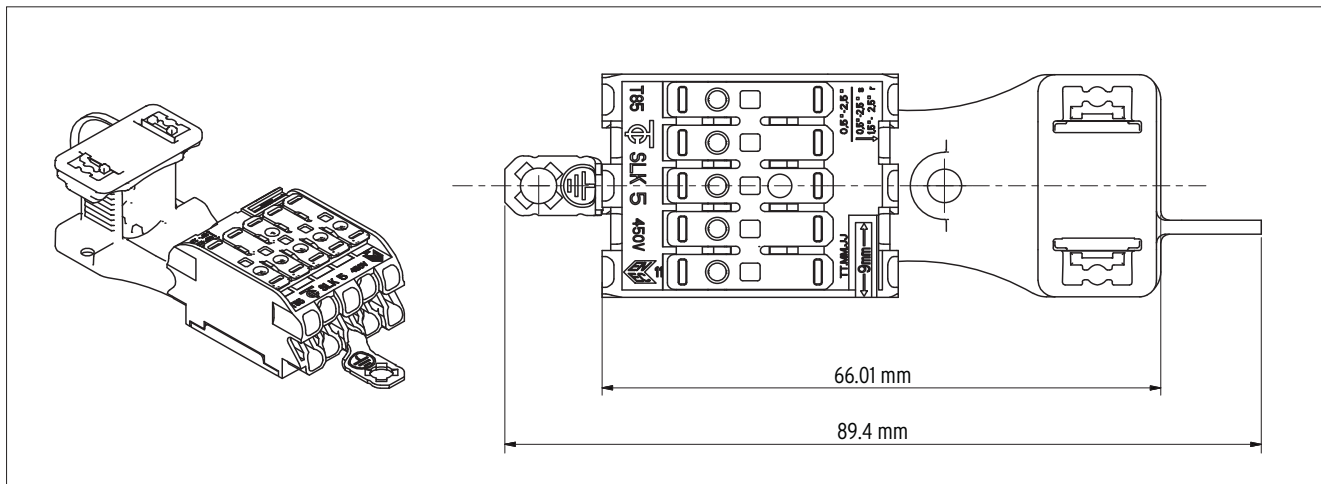
### LAYOUT MOUNTING PLATE



Numbering	Attachment points
1.	Control gear
2.	Attachment holes (l/w = 10 mm / 5 mm)
3.	Block clamp
3.1	Earthing screw
3.2	Strain relief
4.	Catch rope
5.	Cable feed in (Ø = 35 mm)
6.	Attachment points for pendant sets*
7.	PSU

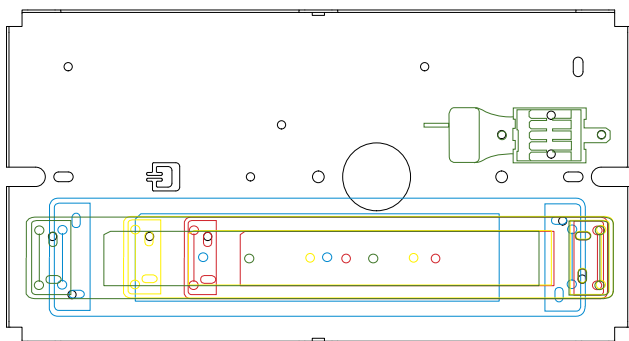
\* Suitable for all suspensions in the LED Linear™ portfolio.

## VarioCANOPY Square Mounting set without PSU or Control



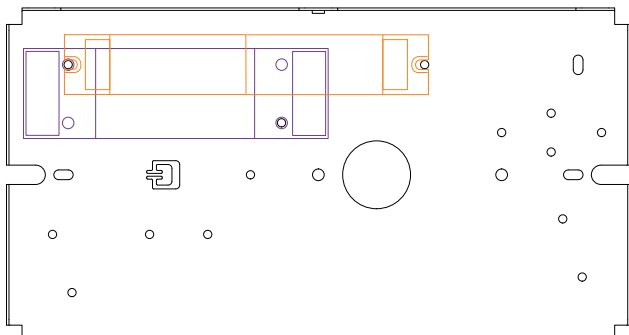
	IEC Rating	UL Ratings
Nominal voltage	450 V	300 V
Nominal current	24 A	16A
Clamping range upper terminals	0.5 - 2.5 mm <sup>2</sup> rigid and flexible wires detachment of wire with push-button	CU, AWG 20-14 (SOL/STR)
Clamping range lower terminals	0.5 - 2.5 mm <sup>2</sup> solid wires, 1.5 - 2.5 mm <sup>2</sup> rigid stranded wires, detachment of wire with release pin	CU, AWG 20-14 (SOL/STR), AWG 18 - 14 (STR)
Wire stripping length	9 - 10 mm	

### MOUNTING POSITION PSUS



VarioPSU 24V IP20	Art.-#
VarioPSU 24V/60W IP20, 100-277 V	16000178
VarioPSU 24V/35W IP20, 100-277 V	16000179
VarioPSU 24V/96W IP20, 120-277 V	16000180
VarioPSU 24V/180W IP20, 120-277 V	16000181

### MOUNTING POSITION CONTROLS



Controls	Art.-#
IN.finite CASAMBI 2Ch CV EVO	16000267-EVO
IN.finite DALI DT6 2CH CV	16000268-DT6
IN.finite DALI DT8 2CH CV	16000268-DT8
VarioControl LinearDrive 180	16000057
VarioControl LinearDrive 720	16000058