

IN.finite DALI DT8 2Ch CV

Art.-#: 16000268-DT8

LED control gear for DALI DT8

PRODUCT DESCRIPTION

- Two channel dimmable constant voltage LED control gear
- Dimming range from 0 % to 100 %
- Compatible with DALI DT8 Network (Single address for 2 channels)
- Usable as stand-alone or build-in unit
- Nominal lifetime up to 60,000 hrs (at Tc= 25 °C)
- 2 years warranty

TECHNICAL DETAILS

- Up to 384 W input (at 48 V_{DC} supply)
- Pulse Width Modulation (PWM) dimming at 1.6 kHz with non visible flicker in accordance to IEEE P1789
- Color control using Primary N and Color temperature
- Compact form factor - 21 mm x 30 mm x 220 mm (H x W x L including stand-alone strain relief)
- Push-in terminal block for easy wiring
- 2 separate output channels

PROTOCOL

- DALI DT8 according to IEC 62386-209:2011
- 1 - 10 V through 2 active inputs for potentiometer use

* Isolated DALI inputs



RELATED PRODUCTS

- LED Linear™ light source -
White / Color: HYDRA PRO, EXL, LUMINARIS ECO, LINUS HD (+),
VarioLED™ Flex HYDRA, NEXUS, SOL, ECO Color
- IQ-White: VarioLED™ Flex IQ HYDRA, NEXUS, SOL
- For more detailed information on LED flex tape,
please visit our website.

BENEFITS



Perfect Tunable white

Achieve smooth, precise and consistent color mixing with the digital PWM dimming at higher frequency of 1.6 KHz.



Non-visible Flicker

Avoid adverse health risks with PWM dimming at very high frequency of 1.6 KHz that has non visible flicker with no observable effect level (NOEL).



Get 100 % power out of your tunable white luminaire

Color control in Primary-N mode meaning 100 % of the tape power is available at the output unlike other DT8 systems providing only 50 % of the maximum tunable white luminaire output.



DT8 Compatible

Compatible with any DALI DT8 based control systems.

APPLICATION AREAS



Office & Museum

Imitate natural daylight light targeting the circadian rhythm of humans with tunable white, design a office or museum whose atmosphere activates and promotes concentration with VarioLED™ Flex IQ White SOL.



Cove lighting

A type of indirect or accent lighting providing an overall diffusive illumination, realised by mounting the luminaire in wall or ceiling. Easily implement cove lighting in combination with LED Linear's XOOCOVE.



Individualised task lighting

Customization of individual light (warm or cold/bright or dim) according to personal preference and achieve a efficient environment. Task lighting can be realised easily in combination with LED Linear's MARS NANO or LYRA.

IN.finite DALI DT8 2Ch CV

Art.-#: 16000268-DT8

LED control gear for DALI DT8

TECHNICAL CHARACTERISTICS

All values listed below are measured at an ambient temperature of 25°C (+/-2°C) and after 30 minutes of operation.

INPUT

Voltage	12 - 50 V _{DC} ($V_{IN} = V_{OUT}$)
Current (max.)	8 A @ 24 V _{DC}
Max. input power	96 - 384 W @ 12 - 48 V _{DC}
Stand-by consumption	395 mW @ 24 V _{DC}

OUTPUT

LED outputs	2
Output voltage	$V_{IN} = V_{OUT}$
Output current	$I_{IN} = I_{OUT}$ (max. 4 A per channel)

DIMMING

PWM frequency	f = 1.6 KHz
Digital dimming protocols	DALI DT8 according to IEC 62386-209:2011
Dimming range	0 % - 100 %
Dimming curves	Logarithmic, tunable white
Dimming resolution	12 bit, 256 control values
IN.finite control gear commissioning	Via DALI Bus

LIFETIME

@ T _c max = 70°C	30,000 hrs
@ T _c = 25°C	60,000 hrs

HOUSING

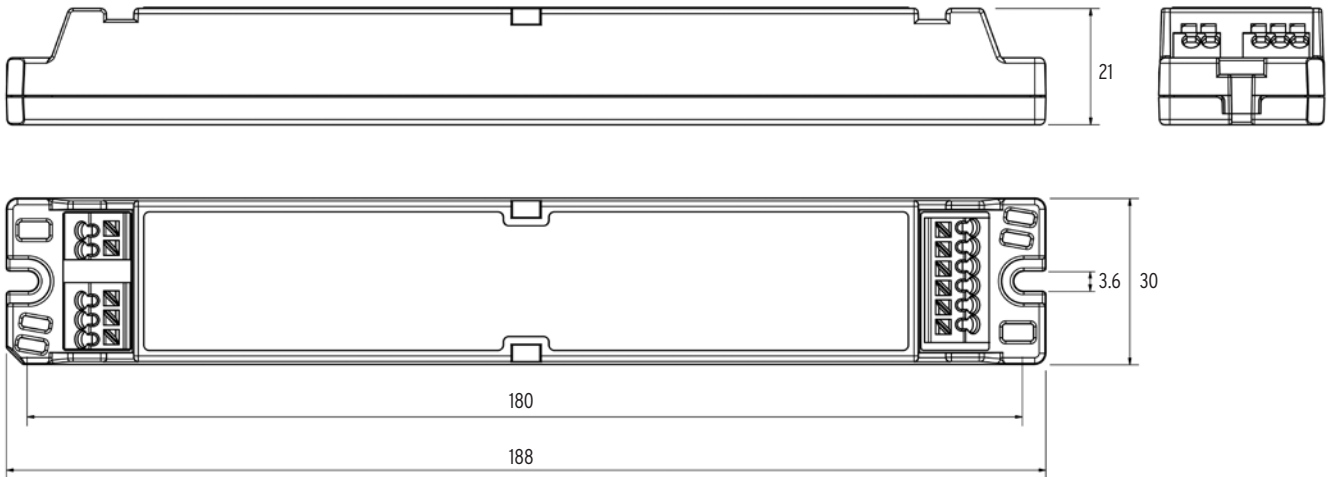
Ingress protection	IP20
Material	PC / ABS V0 125°C (UL listed)
Color	White
Storage conditions	(-40°C to +70°C) / 10 to 95 % humidity (non-condensing)

IN.finite DALI DT8 2Ch CV

Art.-#: 16000268-DT8

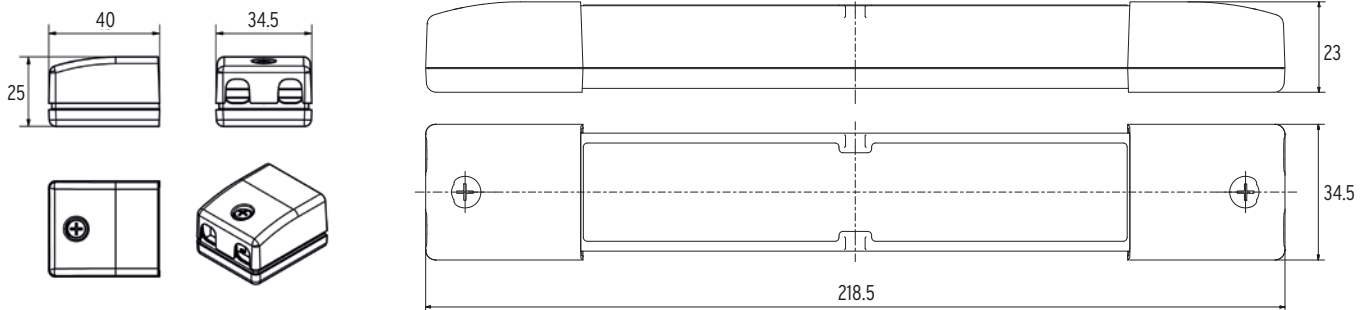
LED control gear for DALI DT8

DIMENSIONS

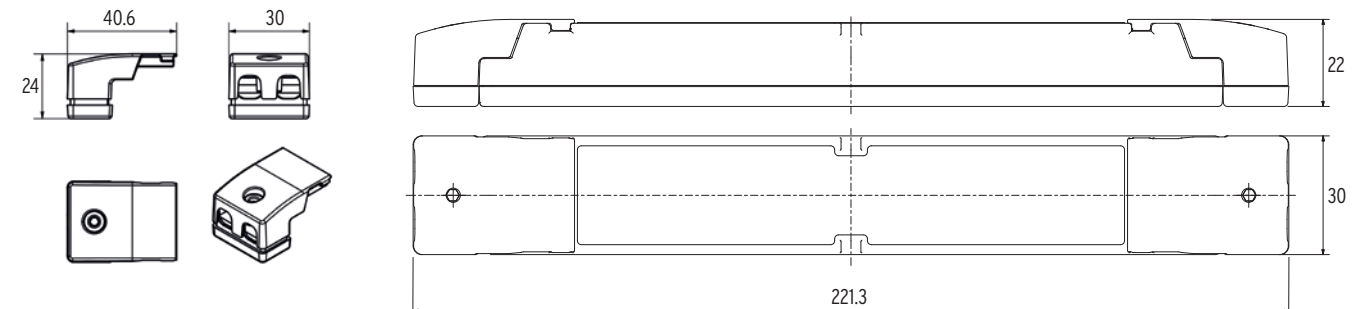


ACCESSORIES - END CAPS FOR STAND-ALONE

VarioPSU Slim Cap Stand-alone (Set of 2)
 Art.-#: 14000068



VarioPSU Slim Cap (Set of 2)
 Art.-#: 16000091



IN.finite dimensions (without end caps)	L x H x W - 188 mm x 21 mm x 30 mm
Weight	66 g
Min. order quantity	10 pcs

IN.finite DALI DT8 2Ch CV

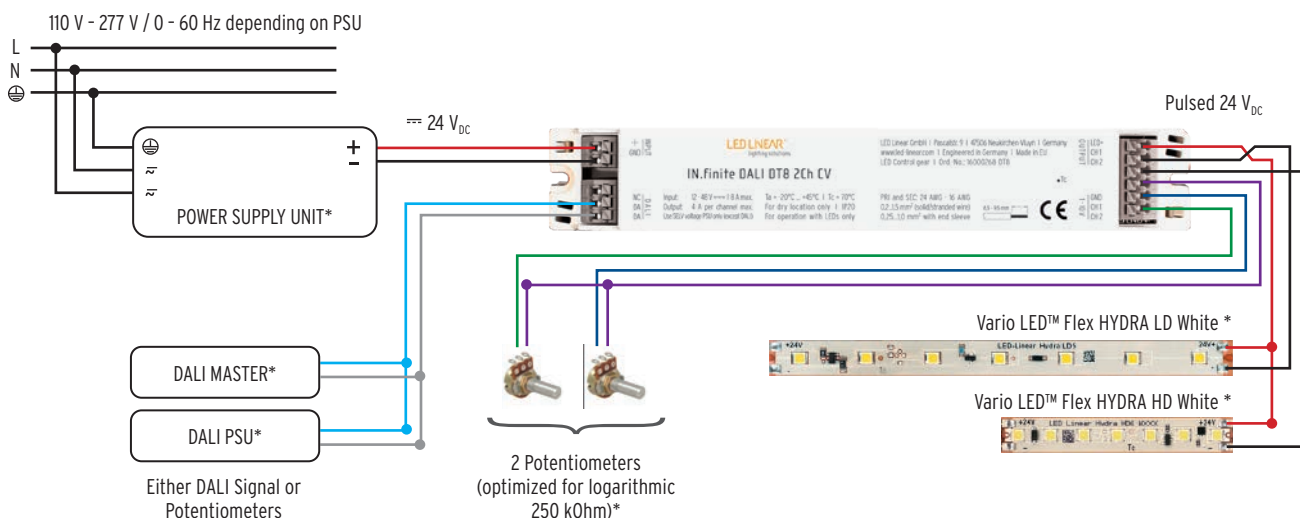
Art.-#: 16000268-DT8

LED control gear for DALI DT8

INPUT

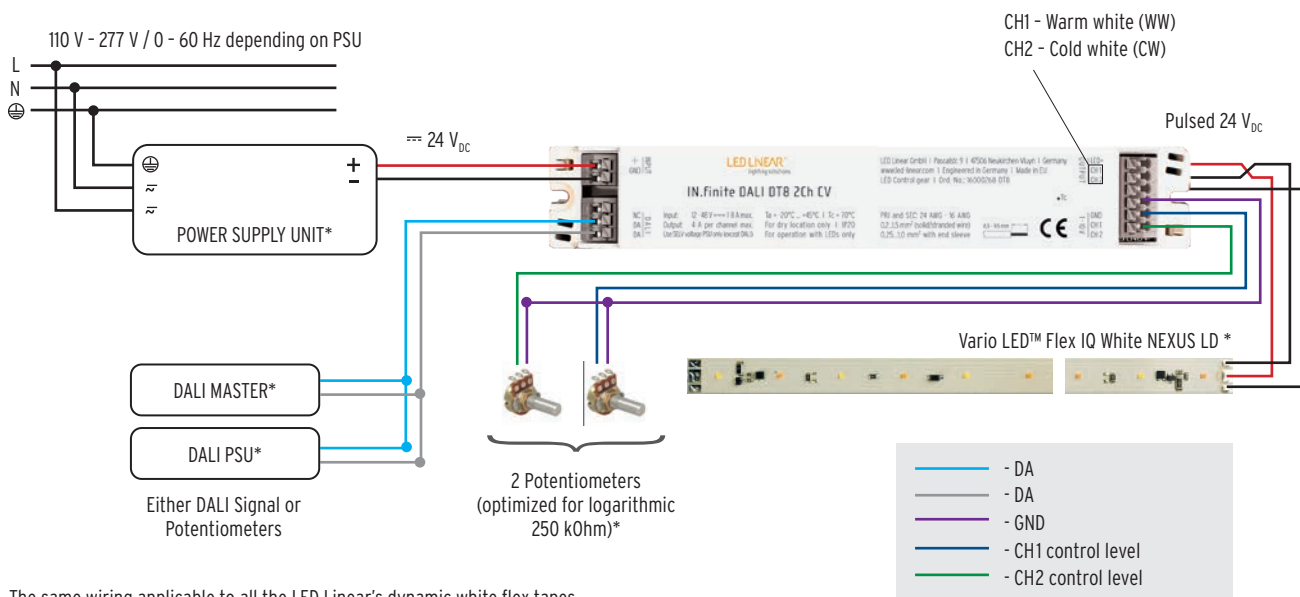
Wire type	0.2 - 1.5 mm ² (solid wire / stranded wire) 0.25 - 1.0 mm ² (with electrical connection terminal)
Wire preparation	8.5 - 9.5 mm wire stripping

TYPICAL WIRING - STATIC WHITE FLEX TAPES



The same wiring applicable to all the LED Linear's static white flex tapes

TYPICAL WIRING - DYNAMIC WHITE FLEX TAPES



The same wiring applicable to all the LED Linear's dynamic white flex tapes

IMPORTANT SAFETY NOTE

Mounting of both protective covers is recommended to ensure strain relief.

* Not included. To be ordered separately.

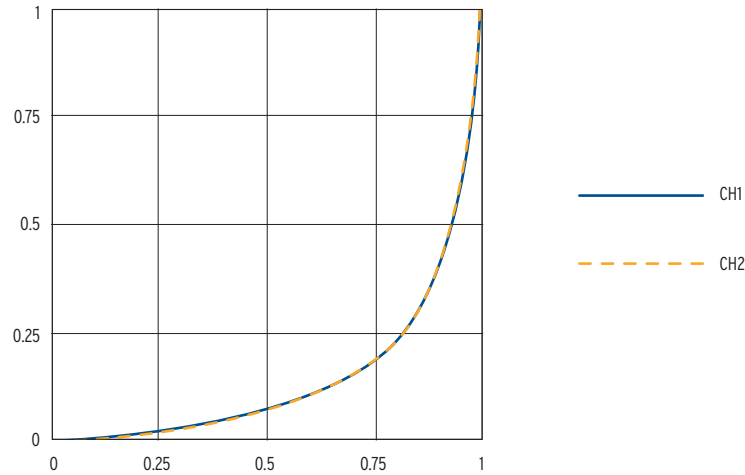
IN.finite DALI DT8 2Ch CV

Art.-#: 16000268-DT8

LED control gear for DALI DT8

DIMMING CURVE

LOGARITHMIC - Two channels log curve



NOTE: In case of hybrid installation combining IN.finite DALI DT6/DT8 and IN.finite CASAMBI, the upload of the 2CH_LOG dimming profile in the CASAMBI units will enable a match of the dimming curves between DALI and CASAMBI based units.

CERTIFICATIONS & STANDARDS

- CE
- EN61347-1 (04/2009)
- EN61347-1 (04/2002)
- EN55015 (11/2009)
- EN61547 (03/2010)
- UL (for built-in). Provided on request.

SAFETY DETAILS

Safety standard	EN 61437-1, DALI input is SELV acc. to EN60065
Electrical protection class	Isolated DALI interface
Separation (Primary - Secondary)	No
Ambient temperature range (ta)	(-20°C to +45°C)
Relative humidity range	0 - 85 % humidity (non-condensing)
IP protection	IP20

IN.finite DALI INSTALLATION NOTE

Power supply unit for IN.finite LED control gear	IN.finite LED control gear must not be directly connected to mains voltage (220 V). It should be connected using VarioPSU with SELV output without integrated dimmer.
--	---

IN.finite DALI DT8 2Ch CV

Art.-#: 16000268-DT8

LED control gear for DALI DT8

IN.FINITE CASAMBI CONTROL GEAR IN COMBINATION WITH LED LINEAR'S FLEX TAPES

The IN.finite LED control gear can be used to connect to any of the LED Linear™ Flex tapes

Voltage	24 V _{in}
Current	4 A per channel
Power	96 W per channel

STATIC WHITE FLEX TAPE

Max. length of tape per IN.finite unit (ideal case)	Power range W/m								
	<=6,5 W/m	6,5 - 10 W/m	10 - 15 W/m	15 - 20 W/m	20 - 25 W/m	25 - 30 W/m	30 - 35 W/m	35 - 40 W/m	40 - 45 W/m
LUMINARIS ECO P12	38 m	21 m	·	12 m	9 m	·	·	·	·
LUMINARIS ECO P23	32 m	21 m	·	12 m	9 m	·	·	·	·
LINUS HD	38 m	·	16 m	11 m	·	7 m	·	·	4 m
LINUS HD+	·	·	19 m	11 m	·	7 m	·	·	4 m
VarioLED™ Flex HYDRA LD	38 m	·	19 m	12 m	·	7 m	·	·	4 m
VarioLED™ Flex HYDRA HD	32 m	·	19 m	12 m	·	7 m	·	5 m	·
VarioLED™ Flex NEXUS LD	38 m	·	19 m	12 m	·	7 m	·	·	4 m
VarioLED™ Flex NEXUS HD	32 m	·	19 m	12 m	·	7 m	·	·	4 m
VarioLED™ Flex NEXUS UHD	·	·	·	12 m	·	7 m	·	·	·
HYDRA ECO	·	27 m	14 m	10 m	8 m	·	·	·	·
HYDRA PRO	48 m	27 m	14 m	10 m	8 m	·	·	5 m	·
HYDRA EXL	48 m	32 m	17 m	12 m	9 m	·	6 m	·	·
VarioLED™ Flex SOL LD	·	·	·	12 m	·	7 m	·	·	·
VarioLED™ Flex SOL HD	·	·	·	12 m	·	7 m	·	5 m	·
VarioLED™ Flex ECO Color P12	·	·	19 m	·	·	·	·	·	·

DYNAMIC WHITE FLEX TAPE

Max. length of tape per IN.finite unit (ideal case)	Power range W/m								
	<=6,5 W/m	6,5 - 10 W/m	10 - 15 W/m	15 - 20 W/m	20 - 25 W/m	25 - 30 W/m	30 - 35 W/m	35 - 40 W/m	40 - 45 W/m
VarioLED™ Flex IQ White HYDRA LD	·	·	·	·	·	7 m	·	·	·
VarioLED™ Flex IQ White HYDRA HD	·	·	16 m	·	8 m	·	·	·	·
VarioLED™ Flex IQ White NEXUS LD	·	·	·	·	·	·	·	·	4 m
VarioLED™ Flex IQ White NEXUS HD	·	·	16 m	·	8 m	·	·	·	4 m
VarioLED™ Flex IQ White SOL LD	·	·	·	·	9 m	·	·	·	·

For more information on our flex tapes and application areas, please visit our official website www.led-linear.com



Printed on VIVUS 89 Recycling